

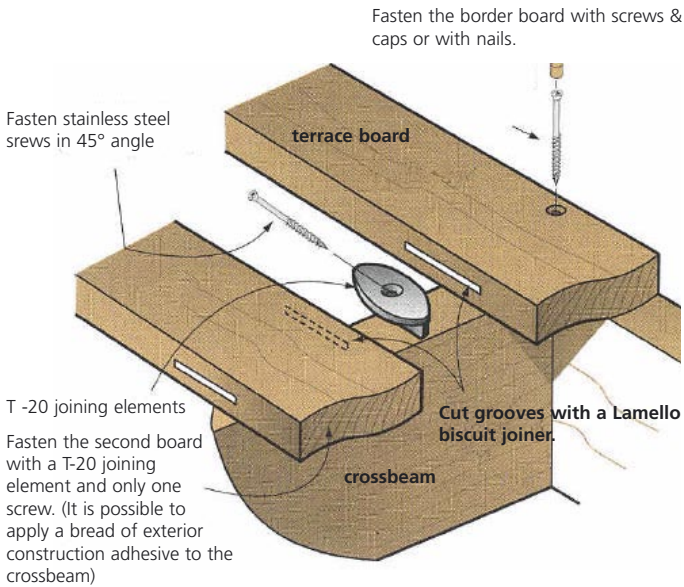


T-20

The joining element for a perfect design with your wood



NO VISIBLE FIXING



- The ideal installation element for **wooden terraces, sauna and pool borders**
- For non-restrictive aesthetics
- No risk of injury by projecting splinters of wood
- Efficient and even installation of terrace boards
- Fasteners are inserted from above.
- Ideal for wood species like oak, pine, cedar, mahogany etc.
- The T-20 is manufactured of UV steady polypropylene with a life span of approx. 100 years.

This is how terrace boards are installed with the Lamello T-20

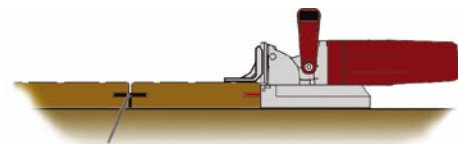


- Adjust groove position of the Lamello biscuit joiner with the help of the multifunctional stop square in such a way that the distance between the boards lower surface and the grooves upper edge amounts to 13 mm.
- Adjust the groove depth of the Lamello biscuit joiner to "20". (= depth joining element Lamello Size 20)
- Fasten the first board with screws and caps or nails to the crossbeam.
- Cut grooves for the Lamello T-20 in the terrace boards in the places, where crossbeams and boards overlap.
- Insert the Lamello T-20 joining element into the groove.

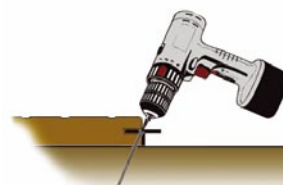
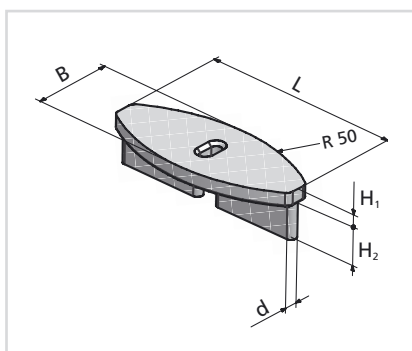
Typs	B	L	H ₁	H ₂	d	Adjustment*
T-20, Type Original Art.-No. 145050	25 mm	59 mm	4 mm	9 mm	2,5 mm	20
T-20, Type LC Art.-No. 145070	25 mm	59 mm	4 mm	9,5 mm	6,5 mm	20
T-20, Type BG Art.-No. 145080	33 mm	66 mm	4 mm	12,5 mm	6,5 mm	D

* These adjustments apply to Lamello biscuit joiners.

Amount per package:
175 pieces T-20; 190 pieces stainless steel screws



- Attach the terrace board with the stainless steel screw 57 mm.
- Attach the screw in an angle of at least 35° and max. 45°. Tighten the screw in such a way that the board rests firmly upon the crossbeam. Do not tighten the screw too firmly, in order to avoid a deformation of the T-20 joining element.



- Fasten the last board with screws and caps or nails to the crossbeam.



T-20

Installation

1.



2.



3.



4.



5.



6.



7.



8.



9.



10.



11.



12.



Schweiz:
Lamello AG
Joining Technology
Hauptstrasse 149
CH-4416 Bubendorf
Tel.: +41 (0)61 935 36 36
Fax: +41 (0)61 925 36 06
info@lamello.com
www.lamello.com