



Tenso P-14

glue faster

Fast glueing without clamps or presses,
reliable and efficient

P-System



Tenso P-14 Awards:



Novelty

Clamp easier and faster with Tenso P-14

Save time and money!

- No pressure marks and damaged areas on your work piece
- Work pieces are automatically in the correct angle
- Surplus glue is easily wiped off
- Work pieces are stacked or moved to temporary storage immediately (no waiting time)

Glueing on the job site:

- Efficient transport with smaller loading volume and less effort
- Fast and efficient, customer-friendly installation

Video:



with Tenso P-14

without Tenso P-14



Save yourself from:

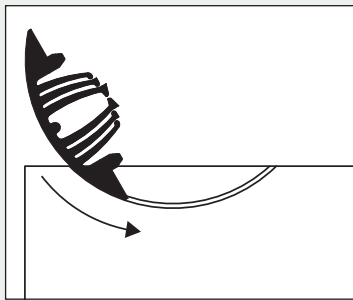
- Preparing clamps and protectors
- Needing an additional person holding the clamps and protectors
- Waiting time until the clamps can be removed
- Removing and clearing away the clamps and protectors
- or
- Setting up the glue press
- Additional person to load and unload the glue press

Glueing on the job site:

- Transporting clamps and protectors to the job site
- Additional person to transport and glue the work piece

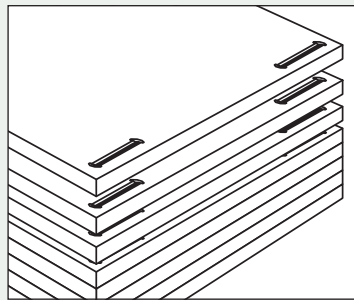
Your advantages with Tenso P-14

Fast



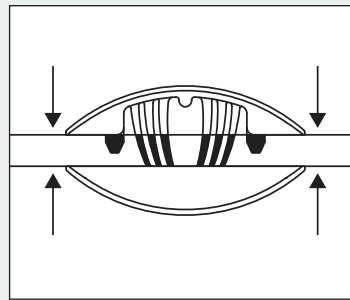
Tool-less insertion in the workshop or on the job site

Stackable



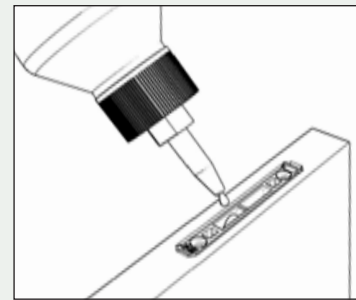
No protruding parts in the surface – for efficient transporting without damage

Joins and clamps



Aligns the work pieces perfectly and clamps them simultaneously

Glueing



Glue in the fitting increases the tensile strength by 30%

Create P-System grooves with ...



... a CNC machine

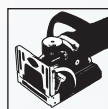
„the powerful solution for serial production“



Perfect integration of P-System fittings in your production of standard parts. Full integration from planning to programming (CAM)

... the Lamello Zeta P2

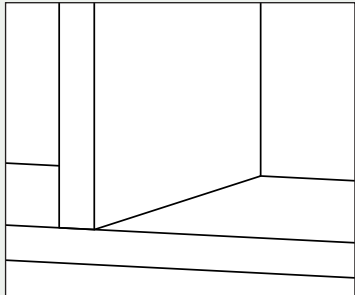
„the power tool for varying applications“



Fast, easy and multifunctional, very efficient when producing individual items, in the factory or on site



Invisible



No visible fitting

Interior fitting

Flat pack delivery, glue on site



Cubes and sideboards

Glue furniture fast and without tools



Dividers

Transport partly assembled and join on site



Furniture

Glue step by step



Plinths, fillers, face frames

Extend and join endlessly and clamp with force

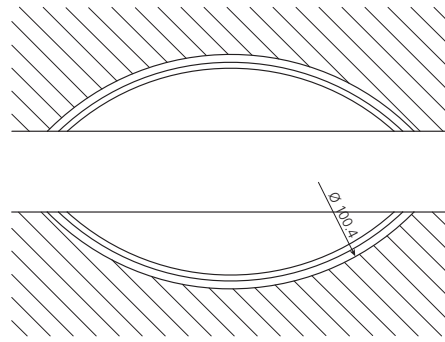
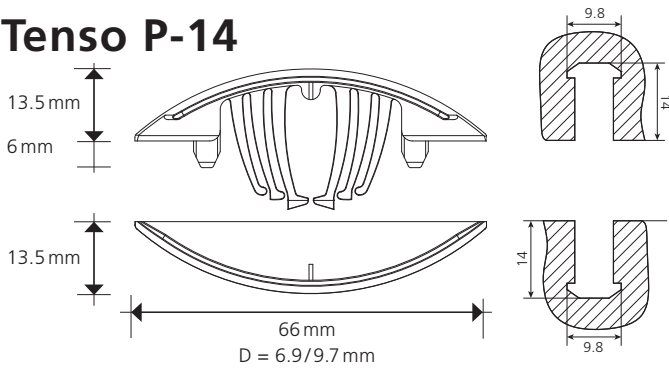


Shopfitting

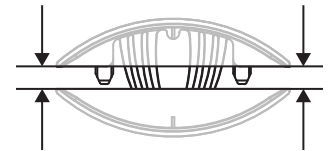
Shorter assembly with factory installed fittings



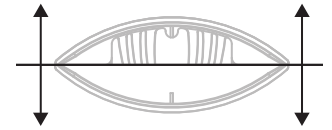
Tenso P-14



Clamping force: 15 kg



Tensile force: 25 kg



Tenso P-14



pair	Art.No.
80	145410
300	145420
1000	145431

Bisco P-14/15



piece	Art.No.
80	145301
300	145302
1000	145303

Tip: Trial-assembly with Bisco P-15 possible

Accessories CNC



P-System Cutter Diamond	Art.No.
100.4 × 7 × 30 / DTK 48 mm.....	132142
100.4 × 7 × 40 / DTK 52 mm.....	132143
100.4 × 7 × 16 / DTK 28 mm.....	132144



Cutter arbor 30 / DTK 48 mm	
S 20 × 50, L = 102 mm.....	132150
S 25 × 60, L = 102 mm.....	132151
S 16 × 50, L = 85 mm.....	132152
S 16 × 55, L = 68 mm.....	132153
S 16 × 50, L = 85 mm "Weldon"	132154
S 20 × 50, L = 85 mm "Weldon"	132155



Glue applicator Servicol
with pointed nozzle..... 175580

Zeta P2

Art.No.

with P-System Cutter diamond...101402D
with P-System Cutter carbide.....101402



More fittings in the P-System family

Clamex P Medius 14/10



pair	Art.No.
80	145370
300	145371

Clamex P-14



pair	Art.No.
80	145334
300	145346
1000	145356

Clamex P-10

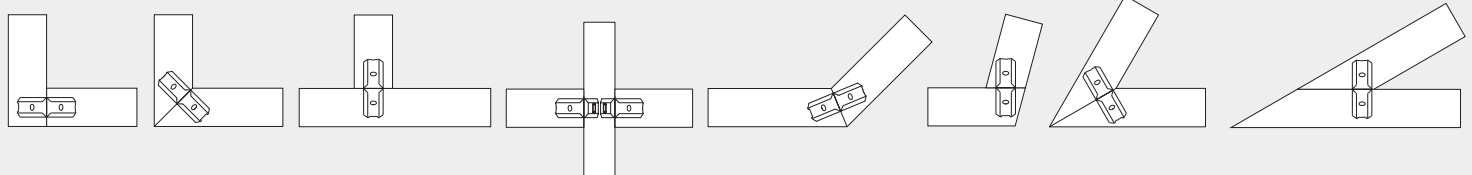


pair	Art.No.
80	145382
300	145383
1000	145384

Bisco P-10



piece	Art.No.
80	145304
300	145305



Manufacturer:

Lamello AG
Verbindungstechnik
Hauptstrasse 149
CH-4416 Bubendorf
Tel. +41 61 935 36 36
Fax +41 61 935 36 06
info@lamello.com
www.lamello.com